



SMD8.0×3.8 Tuning Fork Quartz Crystal Units (idt:MC306)



■ FEATURES:

- NT CUT
- Used for computer、mobile、telecom.etc.
- Low cost and high stability

■ SPECIFICATION:

Type	SMD8.0×3.8×2.54	
Frequency Range(F0)	32.768KHz	20.00 to 165.00KHz
Vibration Mode	NT cut,Fundamental	
Equivalent Series Resistance(Rs)	50KΩ	See Table NO. 1
Frequency Tolerance@ 25±3 °C (ΔF/F0)	±10 ~ ±100 PPM	
Operating Temperature Range(T <sub>OPR</sub> )	-40 ~ +85°C	
Temperature Coefficient@ 25±3 °C (K)	-0.045PPM/ (Δ°C) <sup>2</sup>	
Shunt Capacitance(C0)	2.0PF Max	
Load Capacitance(CL)	12.5PF(Standard) or Specify	
Insulation Resistance(IR)	>500MΩ at DC 100V±15V	
Drive Level(DL)	1.0μW Max	
Aging(Fa)	±3 ~ ±5PPM/Year	

● Table NO.1 : Equivalent Series Resistance(ESR) :

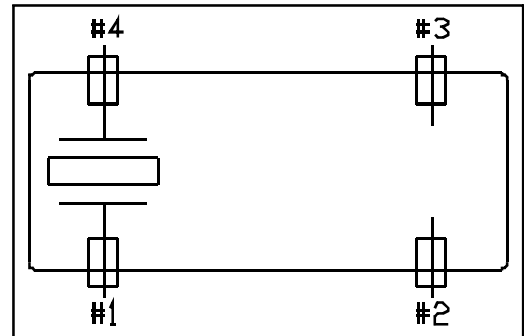
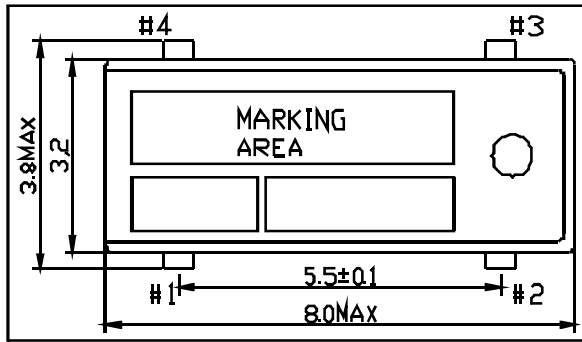
Frequency Range(KHz)	20.00 to 32.00	32.01 to 40.00	40.01 to 90.00	90.01 to 130.00	130.01 to 165.00
ESR(KΩ)	55	35	20	12	10



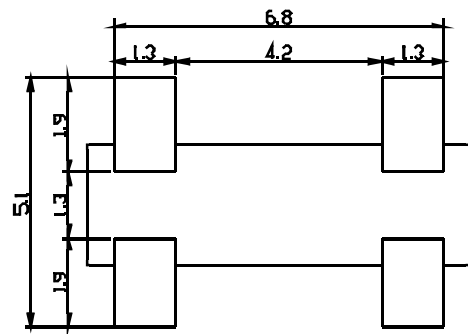
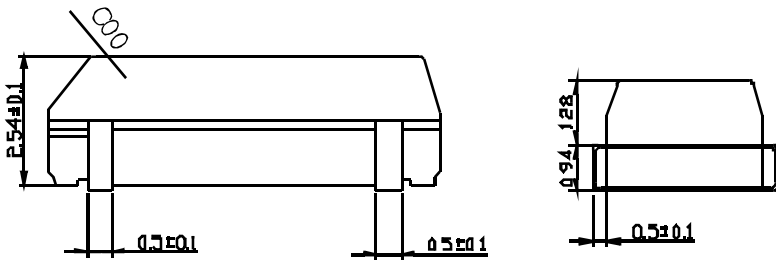


SMD8.0×3.8 Tuning Fork Quartz Crystal Units (idt:MC306)

■ DIMENSIONS:

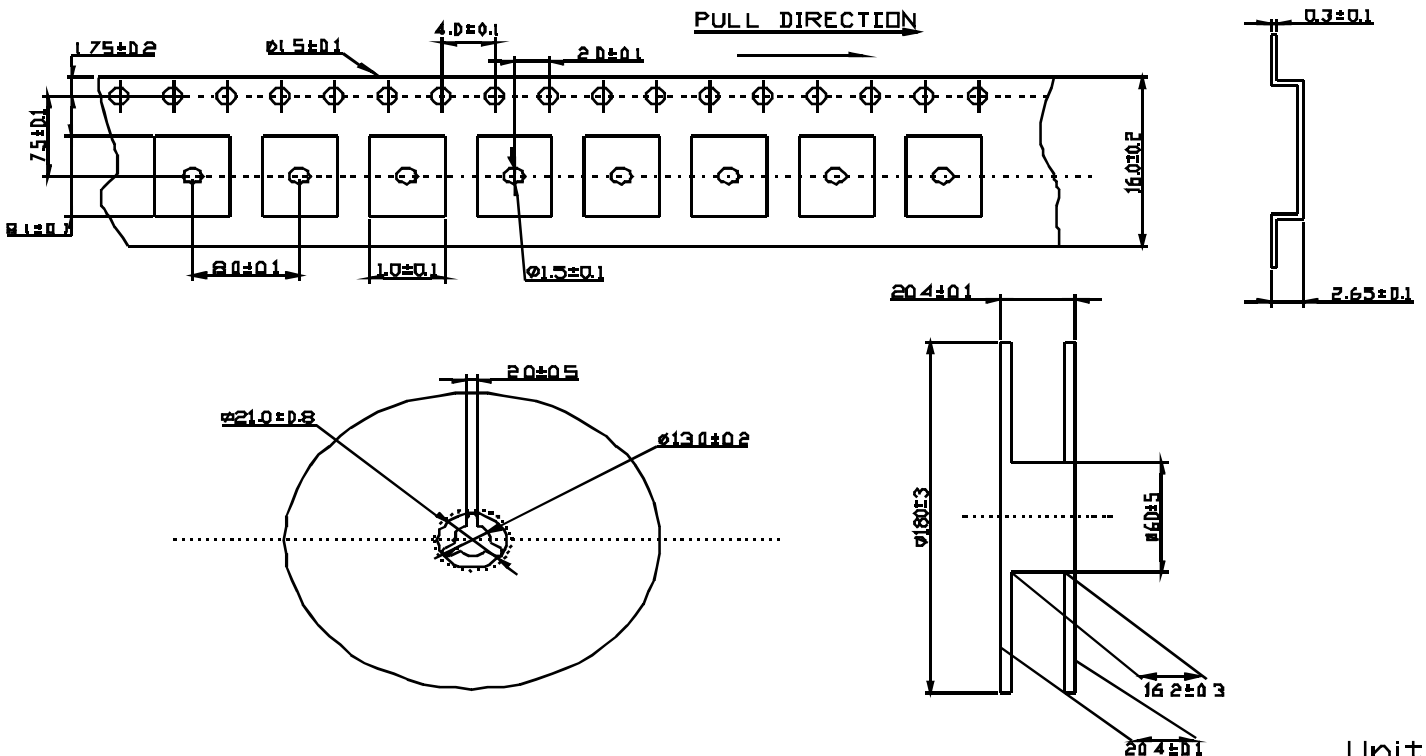


Recommended Land Pattern



Unit: mm

■ TAPING AND REEL:



Unit: mm

